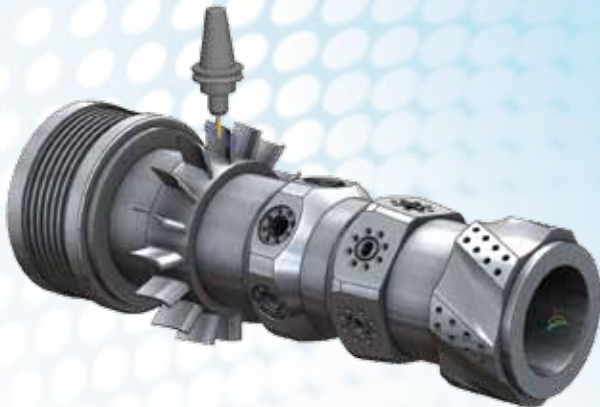
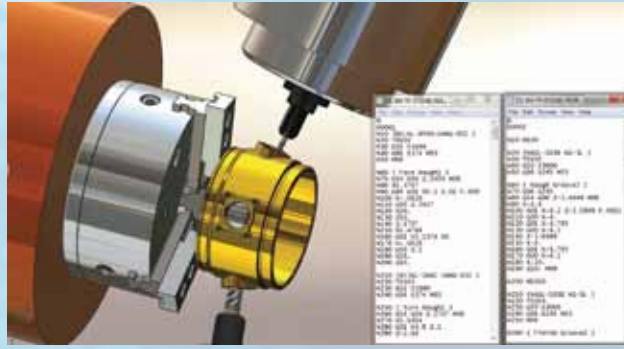


# CAMWorks Mill-Turn

- **CAMWorks Mill-Turn** provides a programming solution for mill-turn or multi-tasking machines. Mill-turn machines are capable of performing turning and milling operations in a single setup that can increase accuracy, reduce part handling, and increase production.
- **Automatic Feature Recognition (AFR)** automatically recognizes over 20 types of machinable features on native SolidWorks part models or on solid models imported via STEP, IGES, SAT, etc. Feature based machining reduces programming time by as much as 90% compared to traditional CAM software.
- **Interactive Feature Recognition (IFR)** provides an intuitive and easy to use wizard interface for inserting user defined features.



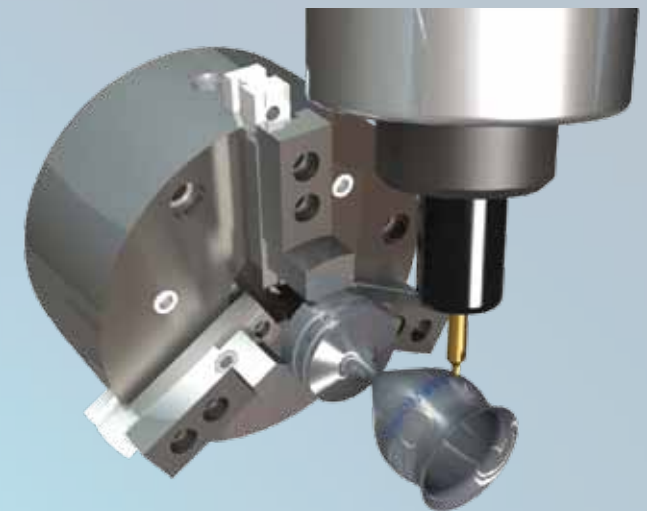
- **Wrapped feature support** for OD pockets, bosses, slots, etc.
- **Full Model to toolpath associativity** automatically updates the toolpaths and CAM data to design changes made to the model.



- **Seamlessly integrated** inside of SolidWorks means that the design model and CAM model are one in the same and a similar interface with the same intuitive menus, toolbars and view manipulation, allows users to quickly master the software.
- **Knowledge-based machining** allows you to capture and reuse your programmers' and machinists' best practices using the patented TechDB (Technology Database). The TechDB reduces programming time by as much as 80% and provides a company owned database to store employee knowledge and skill.
- **New Synchronization Manager\*** provides an easy interface for synchronizing tools on both front and rear turrets for simultaneous machining on either the main spindle or sub-spindle, or both spindles.
- **New Sub-Spindle Operation Builder** allows for easy sub-spindle or tailstock positioning. Custom sub-spindle operations can be created, modified and saved for later use.
- **Gang tool support** for tool holders with

sub-stations, includes multiple tool offset support and custom tool graphics support for accurate simulation and verification of toolpath.

- **C, Y and B Axis Machining** cycles are available for machining features at compound angles and on the Face, ID and OD of a part.
- **Complex Multi-axis Milling** 2½ Axis, 3 Axis, and 4/5 Axis simultaneous milling operations can be created automatically. Including automatic roughing, finishing, thread milling and single point (drilling, boring, reaming, tapping) cycles.
- **Automatic Turning Cycles**, Turning operations include automatic roughing, finishing, grooving, threading, cutoff and single point (drilling, boring, reaming and tapping) cycles.
- **Cutter compensation support** for Turn, Face and Bore Rough operations with canned cycles; Turn,

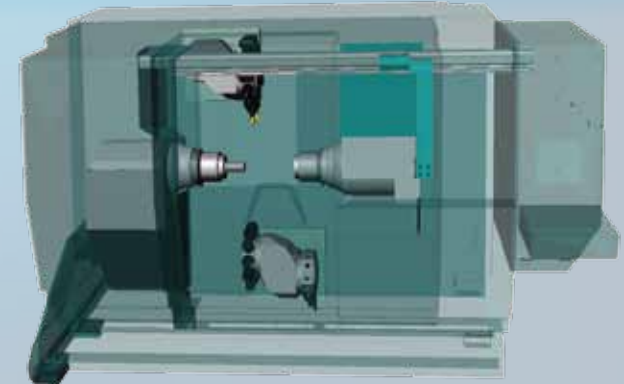
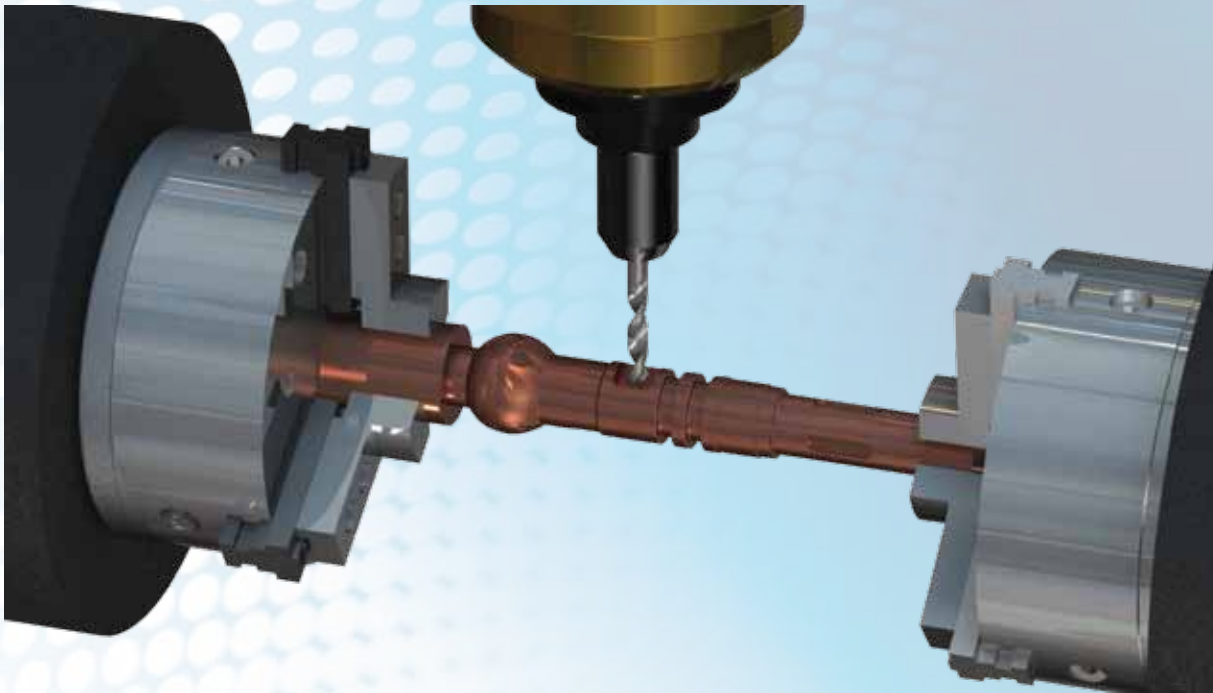


# CAMWorks Mill-Turn

Face, Bore and Groove Finish operations; and Cutoff.

- **Canned Cycle Support** for single point operations, OD/ID rough turning and facing operations, OD/ID threading, and more!
- **Simulation and verification** allows you to easily

and accurately step through or continuously simulate toolpaths with speed control and optional stop capabilities. A model compare feature is also included, to accurately compare the machined model to the design model to validate program accuracy, so you can be sure you'll cut it right the first time!



- **Realistic Simulation** including Main and Sub-Spindle operations (Transfer, Sub spindle clamping, etc.) custom tool support with feed control and the ability to simulate section views are all included.
- **Post Processor** support for all major machines including two and four axis support for either single or dual turret lathes, as well as multiple spindle support for sub-spindle machines.

*\*Advanced Multi-Function license required.*

## About Geometric

Geometric is a specialist in the domain of engineering solutions, services and technologies. Its Geometry Technology Solutions (GTS) business unit develops cutting-edge point productivity solutions that enhance design and improve manufacturing operations. The end-user products from Geometric include CAMWorks<sup>®</sup>, eDrawings<sup>®</sup> Publisher, DFMPPro, GeomCaliper<sup>®</sup>, 3DPaintBrush<sup>™</sup>, CAMWorksXpress<sup>®</sup> and Glovius<sup>®</sup>. The key technologies from Geometric are NestLib<sup>®</sup>, Feature Recognition (FR), GeomDiff and 3DSearchIT<sup>®</sup>. Geometric licenses these technologies to OEM partners and also designs and implements customized process solutions using these technologies for industrial customers.

For further details about Geometric's GTS business unit, please visit [www.geometricglobal.com/products](http://www.geometricglobal.com/products) or call +1.480.367.0132

The copyrights/trademarks of all products referenced herein, are held by their respective companies.

## CAMWorks

To know more about this solution:

**email:** [inquiries@camworks.com](mailto:inquiries@camworks.com)

**Website:** [www.camworks.com](http://www.camworks.com)